

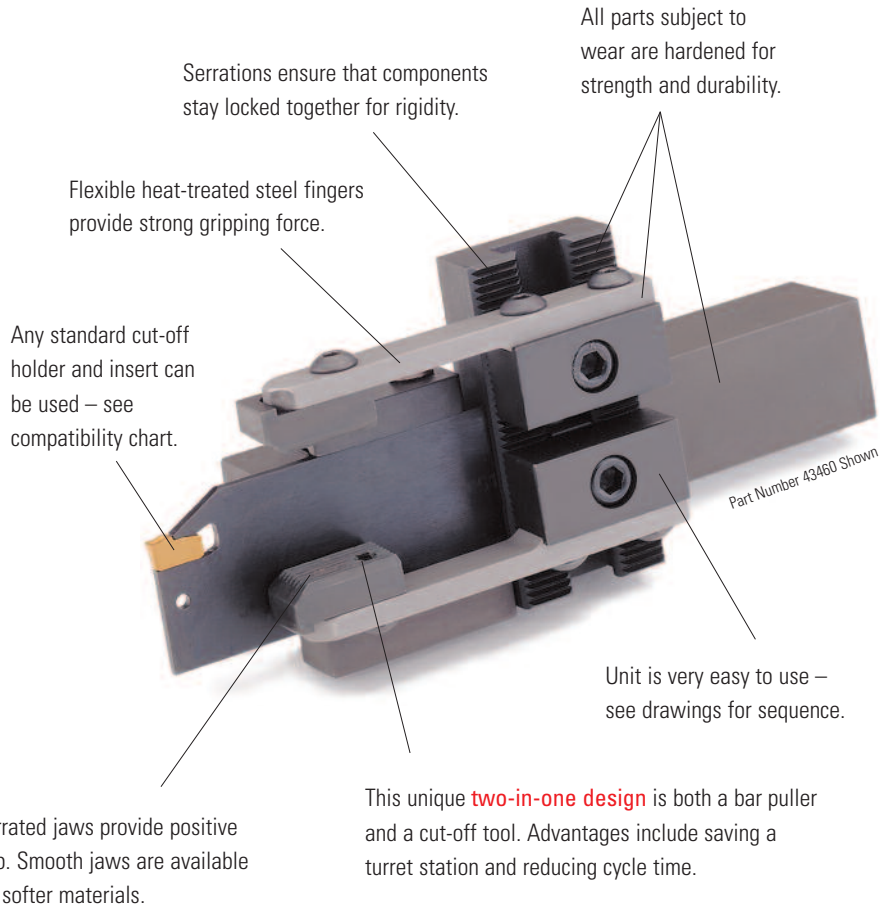
ROYAL COMBO CNC BAR PULLERS

Automate Any CNC Lathe

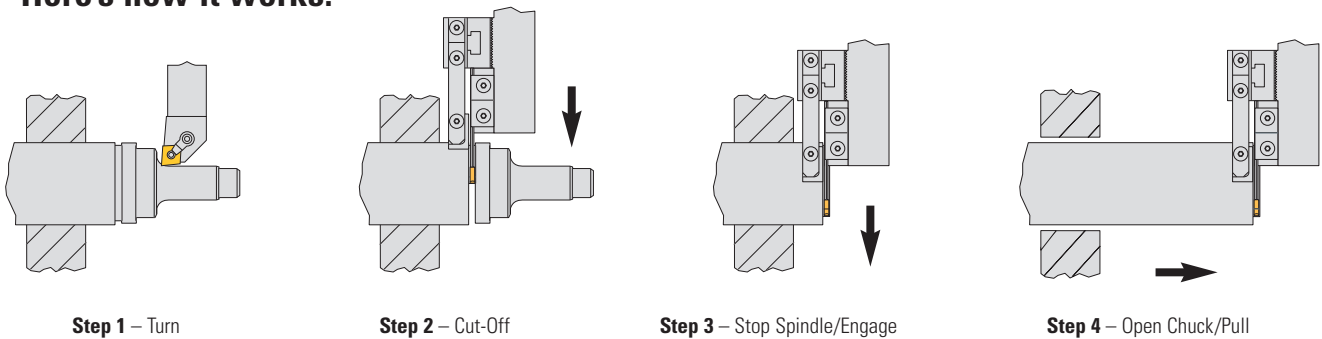
□ The Royal Combo CNC Bar Puller is both a bar puller and a cut-off tool in one unit. Benefits of this design include:

- **Saving a turret station.**
- Reduced cycle time because the turret does not need to index between the cut-off and pulling operations.

- Very easy to setup and use.
- Unit can pull round, square, and hex stock.
- Compact design enables it to be used on most CNC lathes.
- Each Combo Bar Puller includes one set of standard jaws and one blank spindle bushing. Order cut-off insert and holder separately.



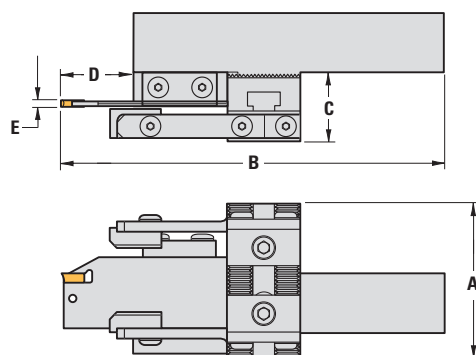
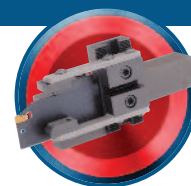
Here's how it works:



Check out the Royal Bar Puller Video at www.barpullers.com

ROYAL COMBO CNC BAR PULLERS

Automate Any CNC Lathe



Cycle times are reduced because the turret does not need to index between cut-off and pulling operations.

Part Number 43460 Shown.

Please note dimension D (maximum depth of cut). If a greater depth of cut is required, we suggest using a separate cut-off tool and only using the bar puller for the pulling operation.

Royal Combo CNC Bar Pullers

SHANK SIZE	GRIPPING RANGE	A	B	C	MAX DEPTH OF CUT D ¹	E	PART NUMBER RIGHT HAND ² MODEL	PRICE ³
3/4" SQ	1/8" - 2 1/4"	2 5/8"	4 3/4"	1 3/16"	9/16"	0.125"	43456	\$1,155
1" SQ	1/8" - 2 1/4"	2 5/8"	6 3/8"	1 3/16"	1 1/4"	0.125"	43460	1,173
1" SQ	1/8" - 3"	3 5/8"	6 3/8"	1 3/16"	1 1/4"	0.125"	43464	1,213
1" SQ	1/8" - 4"	3 5/8"	6 3/8"	1 3/16"	1 1/4"	0.125"	43468	1,380

- Cut-off holder and insert can be purchased separately from Royal Products or through your tooling supplier.
- Bar puller accepts many popular brands of holders and inserts (see chart).
- Cut-off holders not purchased from Royal must be slightly modified before being used with bar puller.

Royal Combo CNC Bar Pullers (Metric)

SHANK SIZE	GRIPPING RANGE	A	B	C	MAX DEPTH OF CUT D ¹	E	PART NUMBER RIGHT HAND ² MODEL	PRICE ³
20mm	3-57mm	67mm	121mm	30mm	14.5mm	3mm	43615	\$1,345
25mm	3-57mm	67mm	162mm	30mm	32mm	3mm	43625	1,359
25mm	3-76mm	92mm	162mm	30mm	32mm	3mm	43635	1,414

¹Maximum depth of cut.

²Most machines require a right-hand unit. If you need a left hand unit please contact one of our engineers at 1-800-645-4174.

³Includes bar puller, one set of standard jaws and one blank spindle bushing. Order insert holder and insert separately.

Holder with Insert

BAR PULLER SHANK SIZE	PART NUMBER	PRICE*
1/2" or 3/4"	43520	\$206
1"	43522	224



*Includes one modified holder, one neutral cut-off insert, and one installation/removal tool.

Replacement Parts — Combo Model

DESCRIPTION	PART NUMBER	PRICE/SET
Spring Finger Set	43505	\$106
Serrated Jaw Set	43500	152
Smooth Jaw Set	43502	186

Compatibility Chart

BRAND	1/2", 3/4" AND 20mm SHANK	1" AND 25mm SHANK
Carboly	150.10-20-3	150.10-25-3
Iscar	SGFH26-3	SGFH32-3
Kennametal	EVBSN26M0340	EVBSN32M0350
Manchester	340-105	340-110
Sandvik	151.2-21-30	151.2-25-30
Valenite	VH101 26 3	VH101 32 3